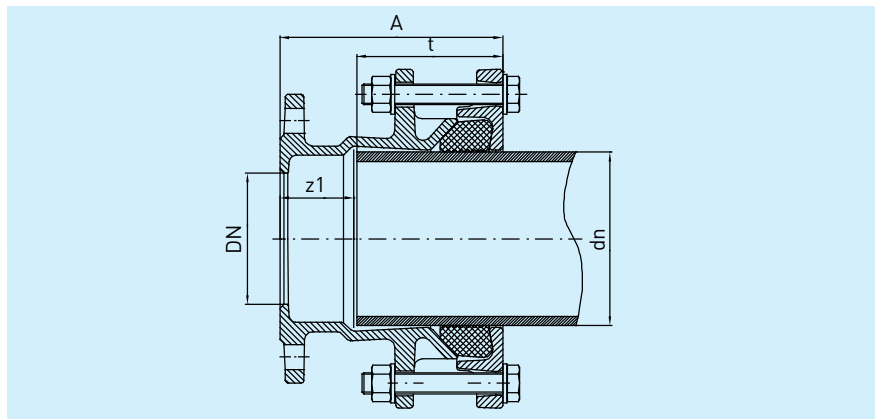


E-MEGA-FLEX – Tehničke informacije

E-MEGA-FLEX – Technical information

Prirubnički fazonski komad

Flanged socket adapter



Mjere u mm - dimensions in mm					Vijak Bolts	kg/komad kg/piece
DN	dn	t	A	z1		
50	43- 64	78	167	11-87	4x M16x100	7,2
60	63- 84	80	169	13-86	4x M16x100	8,3
65	63- 84	80	169	13-86	4x M16x100	8,3
80	85-107	82	170	13-84	4x M16x100	8,8
100	107-133	83	172	12-87	4x M16x110	10,2
125	132-160	85	189	13-104	4x M16x110	13,2
150	158-192	98	200	14-100	4x M16x120	18,8
200	216-252	105	239	17-131	4x M16x120	26,7
250	266-300	109	237	19-128	6x M16x120	36,1
300*	315-356	114	247	17-137	6x M20x130	43,7

* Pocinčani vijci

* screws hot-dip galvanized

Pažnja! Bušenja za dimenzije veće od DN 150 mijenjaju se pri stupnju pritiska PN 16!

Attention! At pressure stage PN 16, drilling changes for fittings bigger than DN 150.

	Materijal Material	
Tijelo Body	Nodularni lijev GGG ductile cast iron GGG	
Tlačni prsten Pressing ring	Nodularni lijev GGG ductile cast iron GGG	
Brtva Gasket	NBR+ ili W 270 (molimo naglasiti) NBR or W 270 (please specify)	
Vijci Screws	A4-70 DIN 933	Ostali vijci na upitu Other screws upon request
Matice Nuts	A4 kromirane A4 chrome	Ostali vijci na upitu Other screws upon request
Premaz Coating	Epoxyd, 250 µm Epoxy, 250 µm	(EWS prema GSK direktivama RAL-GZ-662) (EWS according GSK-directives RAL-GZ-662)