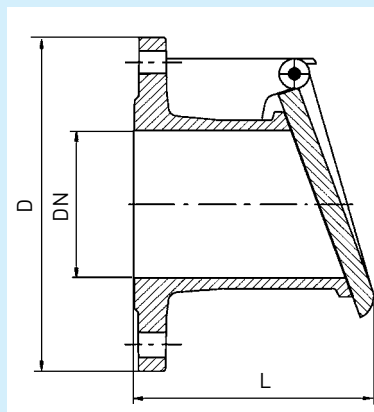


Žablji poklopac Flat check valve

Žablji poklopac PN 10
Flat check valves, PN 10



Mjere u mm · dimensions in mm			kg/komad kg/piece
DN	D	L	
50	165	160	5,0
65	185	170	6,0
80	200	180	8,0
100	220	185	10,0
125	250	200	13,0
150	285	210	17,0
200	340	220	27,0
250	395	245	42,0
300	455	255	54,0
350	505	330	85,0
400	565	390	117,0

Prirubničke mjere prema DIN EN 1092-2

The measurements of the flanges are corresponding to DIN EN 1092-2

Materijal: iznutra GJS (GGG,) izvana EWS premazano; Brtvljenje: Guma

Material: GJS (GGG) EWS (fusion bonded epoxy) coating; Bolt: X15Cr13; Sealing: rubber