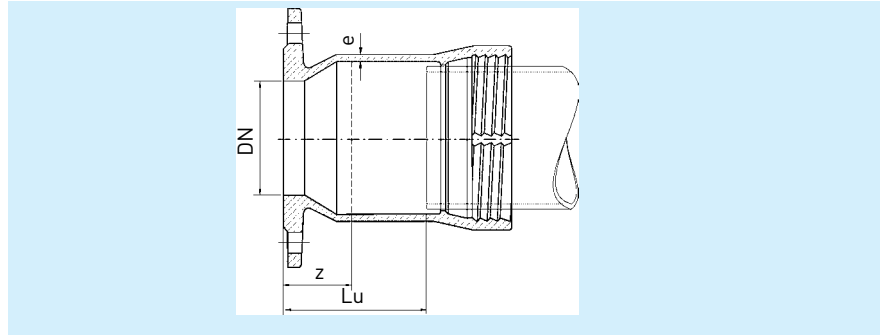


EU-komad s vijčanim naglavkom Flanged socket with threaded socket

EU-komad s vijčanim naglavkom PN 10/16

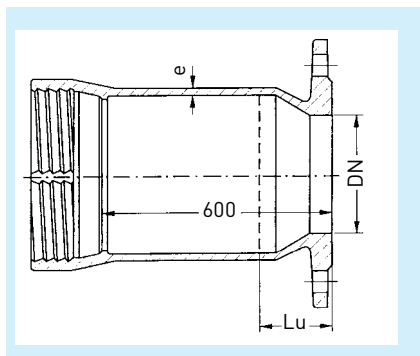
Flanged socket with threaded socket PN 10/16, according to DIN 28 601; DIN EN 545 series A



Mjere u mm · dimensions in mm					kg/komad kg/piece
DN	Lu	z	Dozvoljeno odstupanje compensating length	e	
40	76	50	± 30	7,0	4,6
50	78	50	± 30	7,0	5,8
65	80	50	± 30	7,0	6,3
80	130	86	± 40	7,0	7,6
100	130	87	± 40	7,2	10,3
125	135	91	± 40	7,5	13,2
150	135	92	± 40	7,8	15,8
200	140	97	± 40	8,4	22,2
250	145	102	± 40	9,0	31,5
300	150	107	± 40	9,6	37,2
350	155	112	± 40	10,2	47,2
400	160	117	± 40	10,8	64,7
500	170	127	± 40	12,0	103,0
600	180	137	± 40	13,2	142,0
700	190	147	± 40	14,4	194,0
800	200	157	± 40	15,6	189,0
900	210	167	± 40	16,8	242,0
1000	220	177	± 40	18,0	320,0

Od DN 500 moguća isporuka samo sa zapornom spojnicom!
From DN 500 deliverable only with gland sockets!

EU-komad s vijčanim naglavkom, duljine 600 mm Flanged socket with threaded socket, 600 mm long



EU-komad s vijčanim naglavkom, duljine 600 mm PN 10/16

Flanged socket with threaded socket 600 mm long, PN 10/16,
length levelling piece according to factory standard



Mjere u mm · dimensions in mm			kg/komad kg/piece
DN	e	Lu	
100	7,2	87	19,8