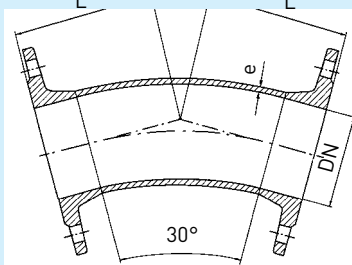


FFK-komad 30° Double flanged bend 30°

FFK-komad 30°, PN 10/16, Lučni komad s prirubicama 30°
Double flanged bend 30° / 1/12, PN 10/16, according to FGR 71 or factory standard

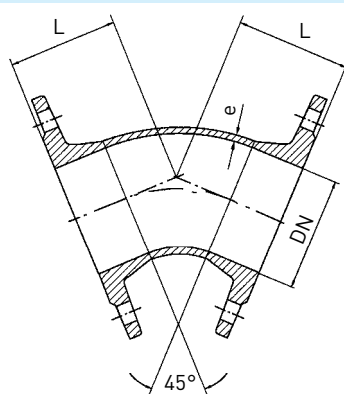


Mjere u mm · dimensions in mm			kg/komad kg/piece
DN	L	e	
40	140	7,0	7,0
50	150	7,0	9,0
65	165	7,0	12,0
80	120	7,0	11,1
100	140	7,2	12,6
125	150	7,5	16,1
150	160	7,8	21,5
200	180	8,4	28,6
250	210	9,0	47,5
300	255	9,6	63,5
350	165	10,2	70,2
400	183	10,8	85,8
500	220	12,0	129,5
600	309	13,2	230,0
700	346	14,4	360,0
800	383	15,6	493,0

Pažnja! Pri tlaku od 16 bara mijenjaju se bušenja za dimenzije veće od DN 150!
 Attention! At pressure stage PN 16 drilling changes for pieces bigger than DN 150!

FFK-komad 45° Double flanged bend 45°

FFK-komad 45°, PN 10/16, Lučni komad s prirubicama 45°
Double flanged bend 45° / 1/8, PN 10/16, according to FGR 71 and DIN EN 545



Mjere u mm · dimensions in mm			kg/komad kg/piece
DN	L	e	
40	140	7,0	7,0
50	150	7,0	7,1
65	165	7,0	12,0
80	130	7,0	11,1
100	140	7,2	12,0
125	150	7,5	16,1
150	160	7,8	22,1
200	180	8,4	29,0
250	350	9,0	53,3
300	400	9,6	85,1
350	298	10,2	96,1
400	324	10,8	108,0
500	375	12,0	185,8
600	426	13,2	288,0
700	478	14,4	489,0
800	529	15,6	403,0
1000	632	18,0	727,9

Pažnja! Pri tlaku od 16 bara mijenjaju se bušenja za dimenzije veće od DN 150!
 Attention! At pressure stage PN 16 drilling changes for pieces bigger than DN 150!