

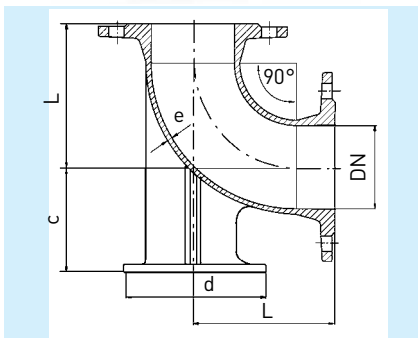
N-komad 90° Flanged 90° duckfoot bend

N-komad 90°, Lučni komad sa stopalom 90°, PN 10/16

Flanged 90° duckfoot bend, PN 10/16, according to DIN EN 545 series A or factory standard



DN	Mjere u mm · dimensions in mm				kg/komad kg/piece
	L	c	d	e	
50	150	90	160	7,0	12,5
65	165	99	165	7,0	16,0
80	165	110	180	7,0	10,3
80/100	185	125	200	7,2	16,8
80/150	220	165	250	7,8	27,2
100	180	125	200	7,2	16,6
125	200	140	225	7,5	27,0
150	220	160	250	7,8	31,5
200	260	190	300	8,4	48,8
250	350	225	350	9,0	89,0
300	400	255	400	9,6	117,0
350	450	290	450	10,2	186,0
400	500	320	500	10,8	264,0
500	600	385	600	12,0	374,8
600	700	450	700	13,2	538,9
700	800	480	800	14,4	752,0
800	900	540	900	15,6	1.138,3

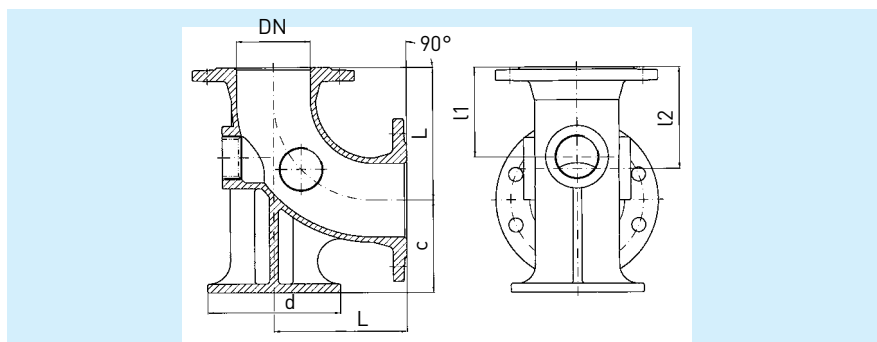


Pažnja! Pri tlaku od 16 bara mijenjaju se bušenja za dimenzije veće od DN 150! L
Attention! At pressure stage PN 16 drilling changes for pieces bigger than DN 150!

NI-komad s navojem Double flanged elbow

NI-komad s navojem, Lučni komad sa stopalom i unutarnjim navojem, PN 10/16

Double flanged elbow with internal threaded boss, PN 10/16, factory standard



DN	Mjere u mm · dimensions in mm					kg/komad kg/piece
	L	c	d	l1	l2	
80	180	110	180	128	128	15,1
100	180	125	180	122	138	17,8

NI-komadi s navojem izrađuju se s 3 navoja, i to sa stražnje strane, lijeve i desne.

The duck food bends are with internal threaded boss supplied with 3 bosses, this means on the back side, left and right. They have threads of 2".