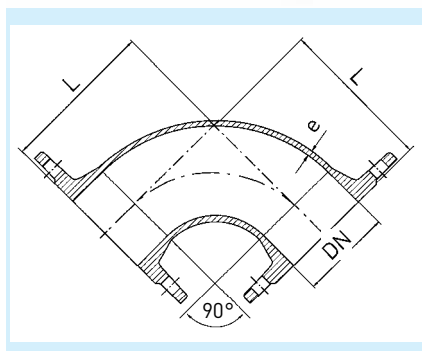


Q-komad, Lučni komad s prirubnicama 90°, PN 10/16

Double flanged elbow 90° / 1/4, PN 10/16, according to DIN EN 545 series A



| Mjere u mm · dimensions in mm | | | kg/komad kg/piece |
|-------------------------------|------|------|----------------------|
| DN | L | e | |
| 40 | 140 | 7,0 | 6,4 |
| 50 | 150 | 7,0 | 7,6 |
| 65 | 165 | 7,0 | 11,0 |
| 80 | 165 | 7,0 | 9,0 |
| 100 | 180 | 7,2 | 12,1 |
| 125 | 200 | 7,5 | 18,0 |
| 150 | 220 | 7,8 | 23,6 |
| 200 | 260 | 8,4 | 34,9 |
| 250 | 350 | 9,0 | 56,3 |
| 300 | 400 | 9,6 | 79,5 |
| 350 | 450 | 10,2 | 102,5 |
| 400 | 500 | 10,8 | 129,0 |
| 500 | 600 | 12,0 | 184,0 |
| 600 | 700 | 13,2 | 436,8 |
| 700 | 800 | 14,4 | 539,0 |
| 800 | 900 | 15,6 | 774,0 |
| 900 | 1000 | 16,8 | 582,7 |
| 1000 | 1100 | 18,0 | 998,0 |

Pažnja! Pri tlaku od 16 bara mijenjaju se bušenja za dimenzije veće od DN 150!
Attention! At pressure stage PN 16 drilling changes for pieces bigger than DN 150!

