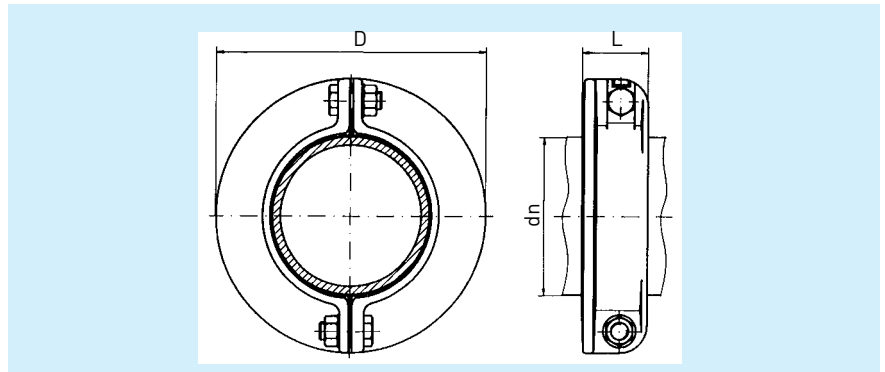


Zidna prirubnica (pričvršćivanje vijcima) Screwable puddle flange for cast iron pipes



Mjere u mm · dimensions in mm				Količina srafova No. of bolts	Vijci* Screws (bolts)*	Potrebna obrtna sila/Nm Required torque/Nm	Dozvoljen radni tlak/bar All. operating pressure/bar	kg/komad** kg/piece**
DN	dn	D	L					
80	98	200	50	2	M 16x50	120	16	3,4
100	118	220	57	2	M 16x50	150	16	3,9
125	144	250	60	2	M 16x50	200	16	4,9
150	170	285	60	2	M 16x50	225	16	5,9
200	222	340	120	4	M 20x60	250	16	11,3
250	274	405	120	6	M 20x60	300	na upit · upon request	16,8
300	326	455	120	6	M 20x60	300	na upit · upon request	20,1

Materijal: nodularni lijev GGG, a s radne strane umetnuta brtva
Material: ductile cast iron GGG, a gasket is placed at the factory
Premaz: bitumen
Coating: bitumen

* Vijci prema DIN EN 24017
* Screws in accordance with DIN EN 24017
** Masa jednog para vijaka
** Weight for the pair with screws

Zidna prirubnica Puddle flange

Zidna prirubnica (pričvršćivanje zavarivanjem) Puddle flange for welding

Za zavarivanje prema DVS 1502-2 i DVS 602, pogledati: www.eadips.org
For welding according to DVS 1502-2 and DVS 602, see also: www.eadips.org
Ovisno o promjeru - 2,3 ili 4-djelna

Mjere u mm · dimensions in mm				kg/komad kg/piece
DN	D	d	b	
50	165	68	10	1,20
65	185	88	8	1,30
80	200	100	10	1,60
100	220	120	10	1,80
125	250	148	10	2,20
150	285	179	10	3,00
200	340	224	10	3,60
250	405	276	10	5,00
300	455	328	15	7,60
350	520	380	16	11,80
400	580	431	16	20,20
500	715	534	17	22,40
600	840	638	17	30,60
700	900	742	17	40,00
800	1010	845	20	47,10

