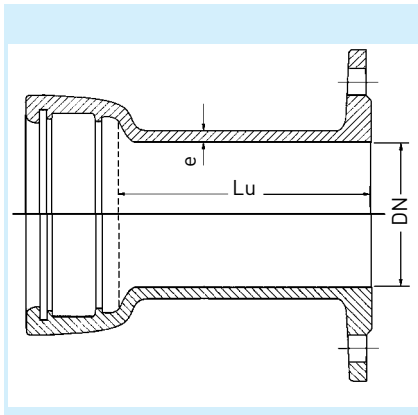


E-komad TYTON® 600

E-TYTON®, 600 mm long

E-komad TYTON® 600 s navarenom priрубnicom
 Flanged socket pipe TYTON® 600 mm long with welded flange



Mjere u mm · dimensions in mm			kg/komad kg/piece
DN	e	Lu	
80	6,0	600	24,0
100	6,0	600	17,0
125	6,2	600	13,0
150	6,5	600	27,0
200	7,0	600	38,3
250	7,5	600	30,0
300	8,0	600	70,0
400	9,0	600	106,3
500	10,0	600	131,0
600	11,0	600	177,0

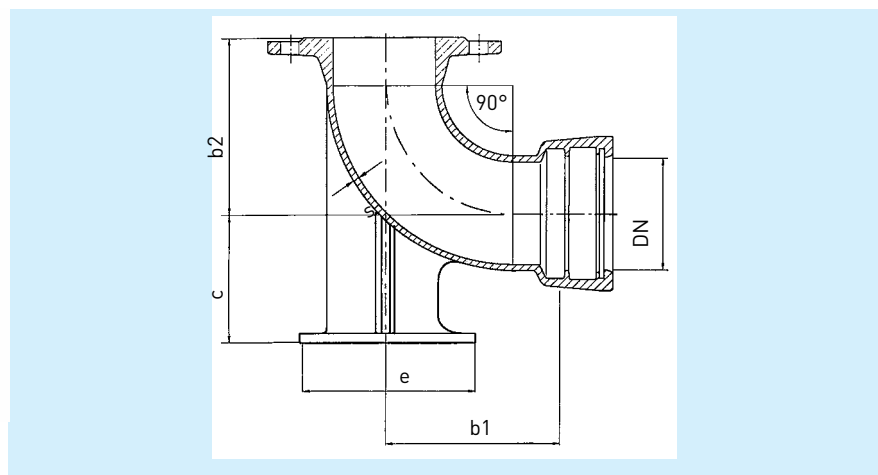
Pažnja! Pri tlaku od 16 bara mijenjaju se bušenja za dimenzije veće od DN 150!
 Attention! At pressure stage PN 16 drilling changes for pieces bigger than DN 150!

Materijal: Nodularni lijev GGG, tehnički uvjeti isporuke prema DIN 28 600; HRN EN 545.
 Material: ductile cast iron GGG, details of delivery in accordance to DIN 28 600; DIN EN 545.

EN-komad s TYTON®-naglavkom

Duckfoot bend 90° with TYTON®-socket

EN-komad s TYTON®-naglavkom PN 10/16, temeljni luk 90°
 Duckfoot bend 90° with TYTON®-socket, PN 10/16, according to DIN 28 650 and DIN 28 603



Mjere u mm · dimensions in mm						kg/komad kg/piece
DN	b1	b2	c	e	s	
80/ 80	145	165	110	180	7,0	14,5
80/100	155	180	125	220	7,2	17,7
100	158	180	125	200	7,2	16,2
150	265	220	160	250	7,8	31,5

Pažnja! Pri tlaku od 16 bara mijenjaju se bušenja za dimenzije veće od DN 150!
 Attention! At pressure stage PN 16 drilling changes for pieces bigger than DN 150!